

PALLET DESIGN SYSTEM Version 6.1

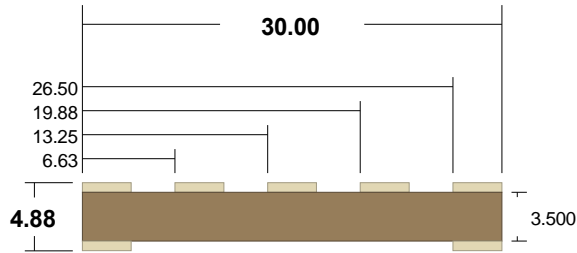
2-D Pallet Drawings

All dimensions in inches

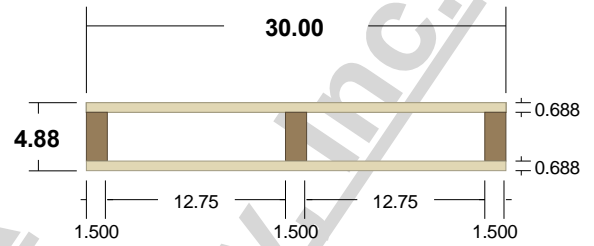
Pallet ID: Stock 30 x 30

Classification: 30.00 x 30.00, Stringer-Class, Double-Face Non-Reversible, 2-Way, Reusable, New Manufacture

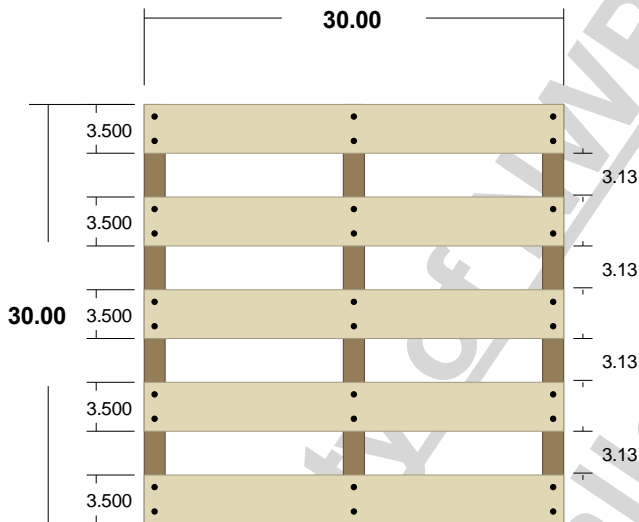
Side View



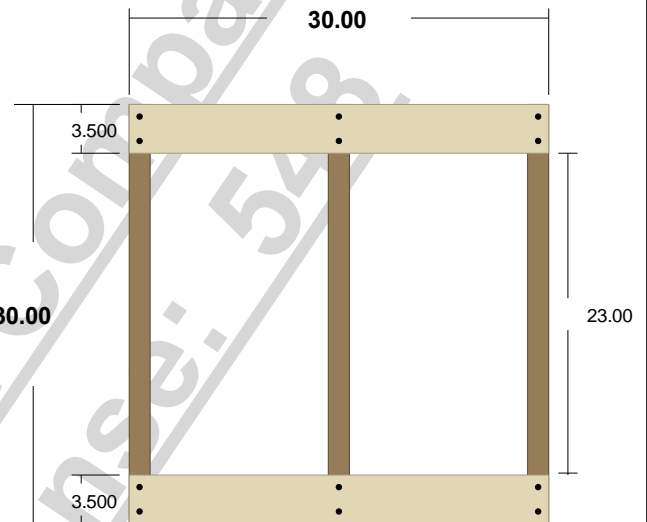
End View



Top View



Bottom View



All output generated from the PDS software (including without limitation the designs, drawings, plans, specification sheets, data, analyses, information, materials or other output produced by or with the assistance of the Software (PDS Output) are protected by copyright and other intellectual property laws and cannot be reproduced without the prior written consent of NWPCA. Lessee may provide a copy of the Output, which must bear the Lessee's watermark, to its manufacturer for the sole purpose of manufacturing the pallet for Lessee to sell or to its direct pallet customer for the sole purpose of selling pallets to that customer.

Customer:

Charlotte Crating & Pallet, Inc.

Prepared by:

Charlotte Crating & Pallet, Inc.

125 L E Perry Road

Bessemer City, NC 28016

Phone (704) 393- 8568 Fax (704) 629-4592

<http://www.charlottecrating.com>

PDS License: 548 Printed: April 14, 2020

PALLET DESIGN SYSTEM Version 6.1

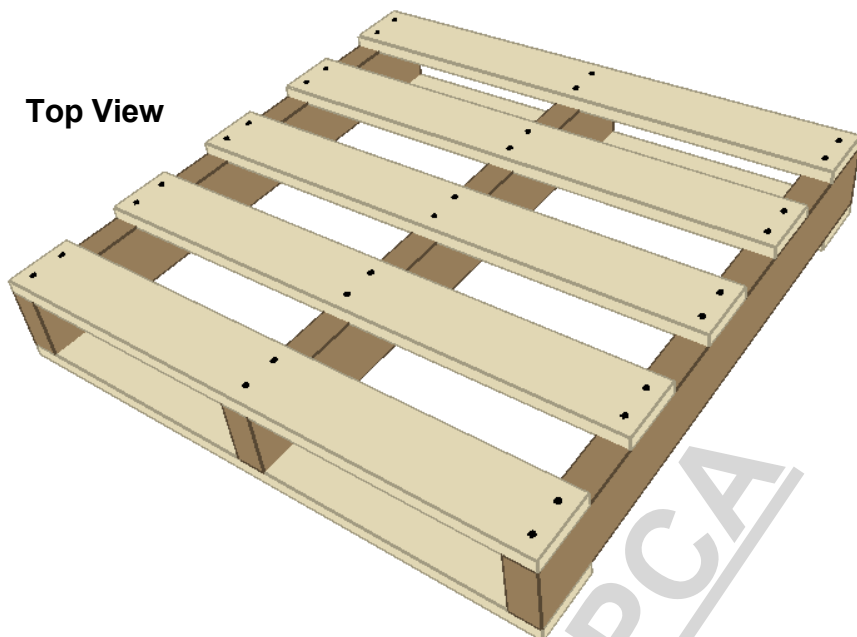
3-D Pallet Drawings

All dimensions in inches

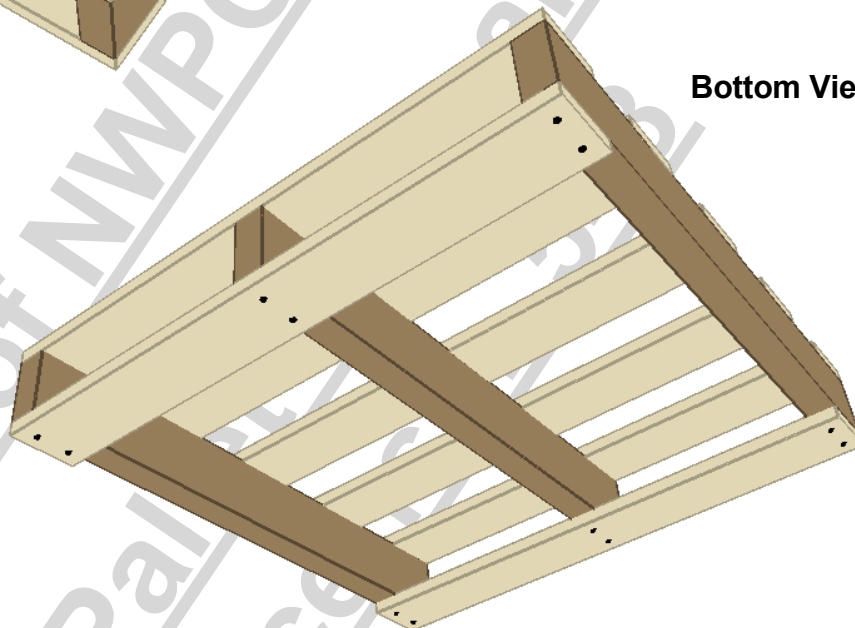
Pallet ID: Stock 30 x 30

Classification: 30.00 x 30.00, Stringer-Class, Double-Face Non-Reversible, 2-Way, Reusable, New Manufacture

Top View



Bottom View



All output generated from the PDS software (including without limitation the designs, drawings, plans, specification sheets, data, analyses, information, materials or other output produced by or with the assistance of the Software (PDS Output) are protected by copyright and other intellectual property laws and cannot be reproduced without the prior written consent of NWPCA. Lessee may provide a copy of the Output, which must bear the Lessee's watermark, to its manufacturer for the sole purpose of manufacturing the pallet for Lessee to sell or to its direct pallet customer for the sole purpose of selling pallets to that customer.

Customer:

Charlotte Crating & Pallet, Inc.

Prepared by:

Charlotte Crating & Pallet, Inc.

125 L E Perry Road

Bessemer City, NC 28016

Phone (704) 393- 8568 Fax (704) 629-4592

<http://www.charlottecrating.com>

PDS License: 548 Printed: April 14, 2020